

Northeast District Office
121 S.W. 21st Street
Topeka, KS 66612-1429



phone: 785-296-3881
fax: 785-296-3720
www.ksdot.org

Mike King, Secretary

Sam Brownback, Governor

FOR IMMEDIATE RELEASE

January 7, 2016

News Contact: Kimberly Qualls, (785) 640-9340 or kqualls@ksdot.org



Here's a current view of the existing K-32 Bridge crossing over I-70 / Kansas Turnpike in Leavenworth County.

K-32 over I-70/KTA Bridge Replacement Project Begins in Leavenworth County

On **Monday, January 4**, a replacement project began on the K-32 Bridge over I-70/Kansas Turnpike in Leavenworth County. Project work includes replacement of the existing 310-foot steel girder bridge (with 28-foot wide roadway) with a 325-foot welded plate girder bridge (with 47-foot wide roadway). Work will take place during daylight hours, Monday through Friday, with some occasional Saturday work. This KDOT bridge replacement construction project oversight will be managed in conjunction with our partner agency, the Kansas Turnpike Authority.

Preliminary preparation work on the project began this past **Monday, January 4**. Beginning in **late February 2016**, eastbound and westbound K-32 over the I-70/KTA bridge will be closed to all traffic throughout the project duration. A marked detour will be provided (see detour map below). K-32 traffic will detour via K-7 north to U.S. 24/40 west and south back to K-32 and vice versa.

Traffic will be directed around the project work zone via signage and barricades. Drivers should expect minor delays and must use alternate routes throughout the project duration.

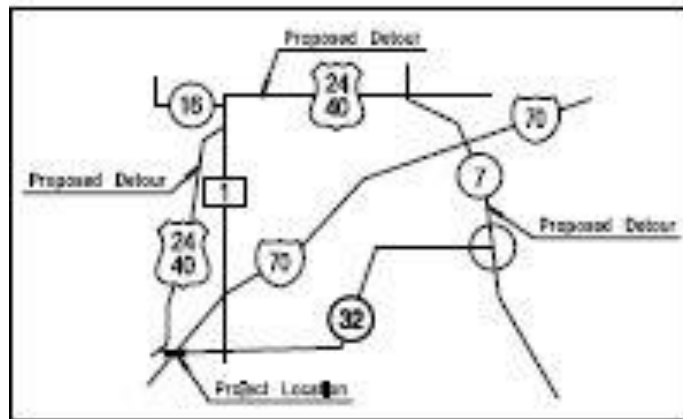
The Kansas Department of Transportation and the Kansas Turnpike Authority urges all motorists to be alert, obey the warning signs, and “Give ‘Em a Brake!” when approaching and driving through the project work zone.

Emery Sapp & Sons Inc. (Kansas City, MO) is the primary contractor on this bridge replacement project with a total contract cost of 4.449 million. **The scheduled completion date for the bridge replacement project is November 2016, weather permitting.**

This project is funded by T-WORKS, the transportation program passed by the Kansas Legislature in May 2010. Find out more about this and other T-WORKS projects at:

<http://kdotapp.ksdot.org/TWorks/>.

For more information on this bridge project, please contact Kimberly Qualls, KDOT Northeast Kansas Public Affairs Manager, at (785) 640-9340. (KDOT Project #32-52 KA-3078-01)



###

This information is available in alternative accessible formats. To obtain an alternative format, contact KDOT Office of Public Affairs, Eisenhower Building, 700 SW Harrison, 2nd Floor West, Topeka, Kan., 66603-3754, or (785) 296-3585 (Voice)/Hearing Impaired - 711.

Click below to connect to KDOT's Social Networks:

