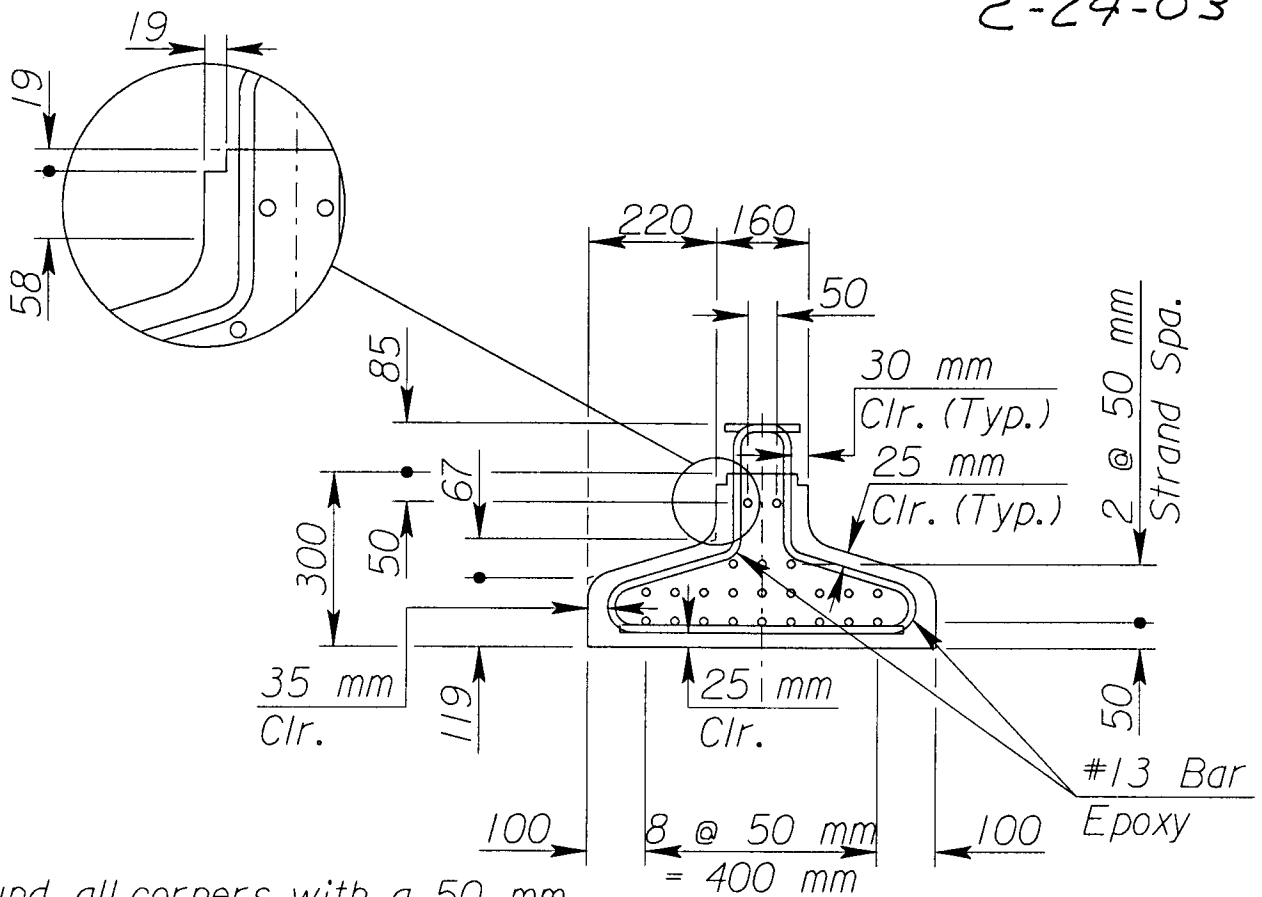
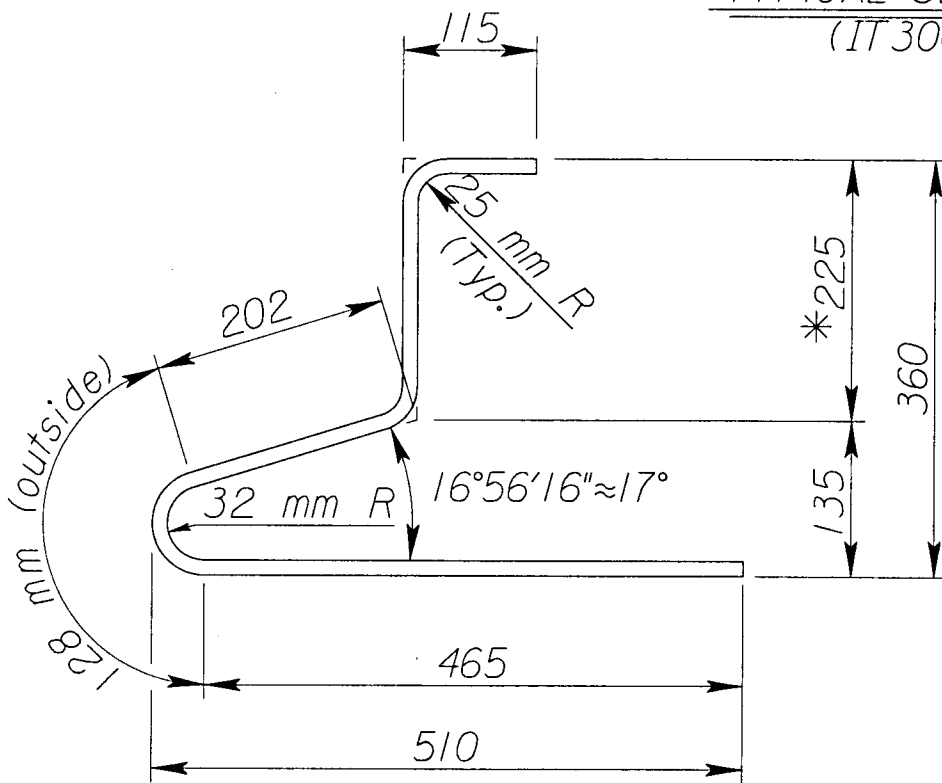


2-24-03



Note: Round all corners with a 50 mm radius except the bottom.

TYPICAL SECTION
(IT300)



*Adjust by 100 mm increments based on IT section height

#13 BAR DETAILS
(In Pairs)
Length=1135 mm